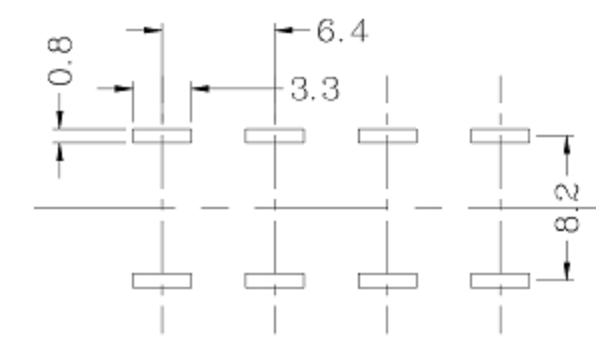
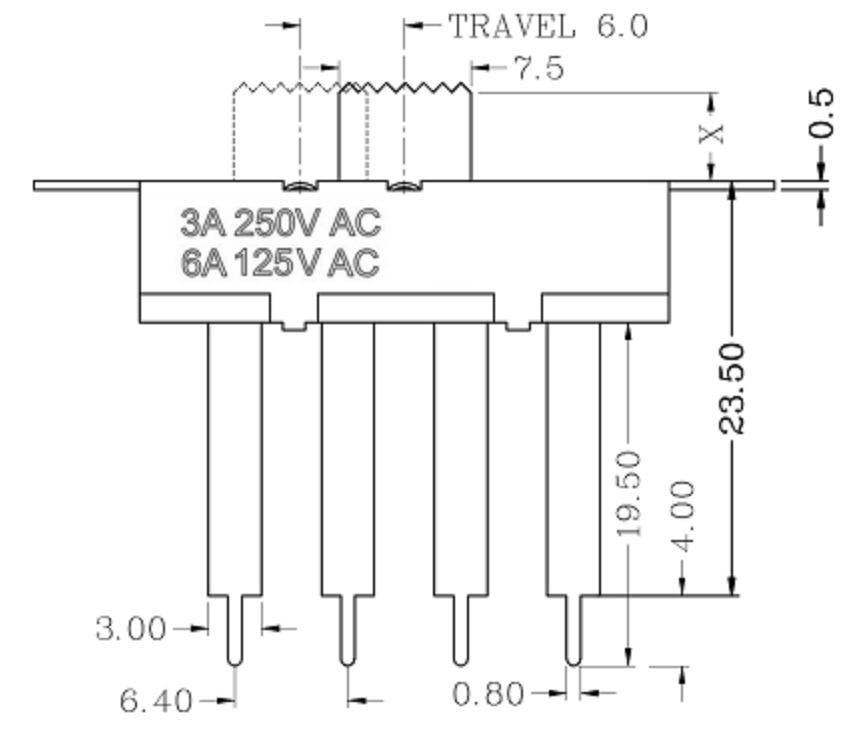


**SCHEMATIC (NON-SHORTING)**

X: 2-10MM



**P.C.B LAYOUT  
BOTTOM VIEW**

SPECIFICATION (INITIAL)	
RATING:	3A 6A 10A 125V 250V
CONTACT RESISTANCE:	Not more than 30mΩ
INSULATION RESISTANCE:	500MΩ at 1500V DC
WITHSTAND VOLTAGE:AC	500V for 1 min
OPERATION FORCE:	300±100g
SWITCHING LIFE:	10000 Cycles(6-10c/m loading)

NO.	PARTS	MATERIALS	QTY	FINISH
5	CONTACT CLIP	PBS STRIP	1	Ag PLATED
4	TERMINAL	BRASS	3	Ag PLATED
3	BASE	PHENOLIC RESIN	1	NATURAL
2	FRAME	STEEL STRIP	1	Ni PLATED
1	KNOB	POM	1	BLACK

**東莞市高迪電子有限公司**  
DONG GUAN GAO DI ELECTRONICS CO., LTD

ITEM NO.	DESCRIPTION	DRAWN	DATE
2	新增SPEC	Jack	111914
1	新增尺寸	Jack	061614

TOLERANCE UNLESS OTHERWISE STATED:  
 Up to 5 ±0.2  
 Above 5 ~ 15 ±0.3  
 Above 15 ~ 30 ±0.4  
 Above 30 ~ 50 ±0.5  
 Angle ±0.3

3RD. ANGEL'S

UNITS MM

DRAWN BY:	DATE	MAT'L	TITLE	SWITCH
Ming Ming Zou	11/19/14			
CHECKED BY:	DATE	FINISH	MODLE	SLIDE SWITCH
Ming Ning Su	11/19/14			
APPROVED BY:	DATE	SCALE	DWG NO.	GD-SS-23L16LX
Jia Xiang	11/19/14	1:1	PART NO.	
SHEET NO.	1 of 1			

SIZE A4  
VER R2